

ASK Super Heterodyne Receiver

General Description:

The ST-RX07A-ASK is ASK Super Heterodyne receiver module, which can be used to receive undecoded data from the range of Summitek Transmitter modules.

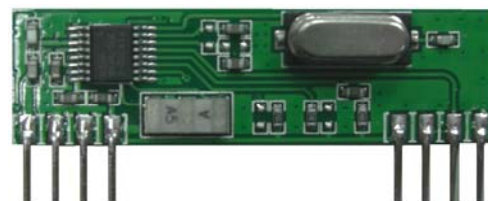
The module is very simple to operate and offer a low current consumption.

Data can be transmitted directly into a microprocessor or decoding device.

All receivers are compatible, producing CMOS/TTL Output ,and only require connections to Power & Antenna.

Features:

- ⊙ ASK Demodulation
- ⊙ Frequency available as 315 or 433MHz
- ⊙ Super Heterodyne RF Receiver
- ⊙ CMOS / TTL Output
- ⊙ Stable Operating Frequency
- ⊙ Low Current Consumption
- ⊙ Wide Operating Voltage:3~5VDC
- ⊙ High Sensitivity : -110dBm



Application:

- ⊙ Wireless Security Systems
- ⊙ Garage Door Controller
- ⊙ Remote Gate Controls
- ⊙ Data Communications
- ⊙ Sensor Reporting

Part Numbers:

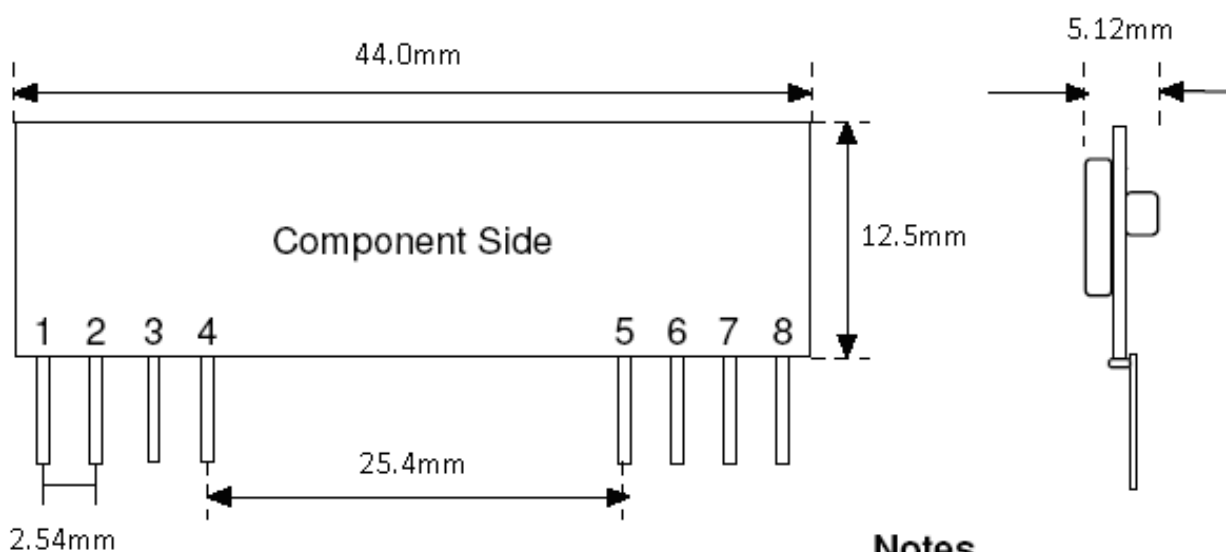
Part Number	Description
ST-RX07A-A315	ASK Super Heterodyne Receiver, 315MHz
ST-RX07A-A433	ASK Super Heterodyne Receiver, 433MHz

Electrical Characteristics

Ambient temp=25 °C VCC=5V 1Kb/s AM99% Square-wave modulation

Characteristic	Min.	Typ.	Max.	Unit
Supply Voltage	2.8	5	5.5	Vdc
Supply Current		2.8		mA
RF Sensitivity		-110		dBm
Working Frequency		315/433.92		MHz
High Level Output	0.7Vcc			VDC
Low Level Output			0.3Vcc	VDC
Data Rate		1	5	Kbps
Bandwidth		280		KHz
Operating Temperature	-40		+85	°C

Mechanical Dimension:



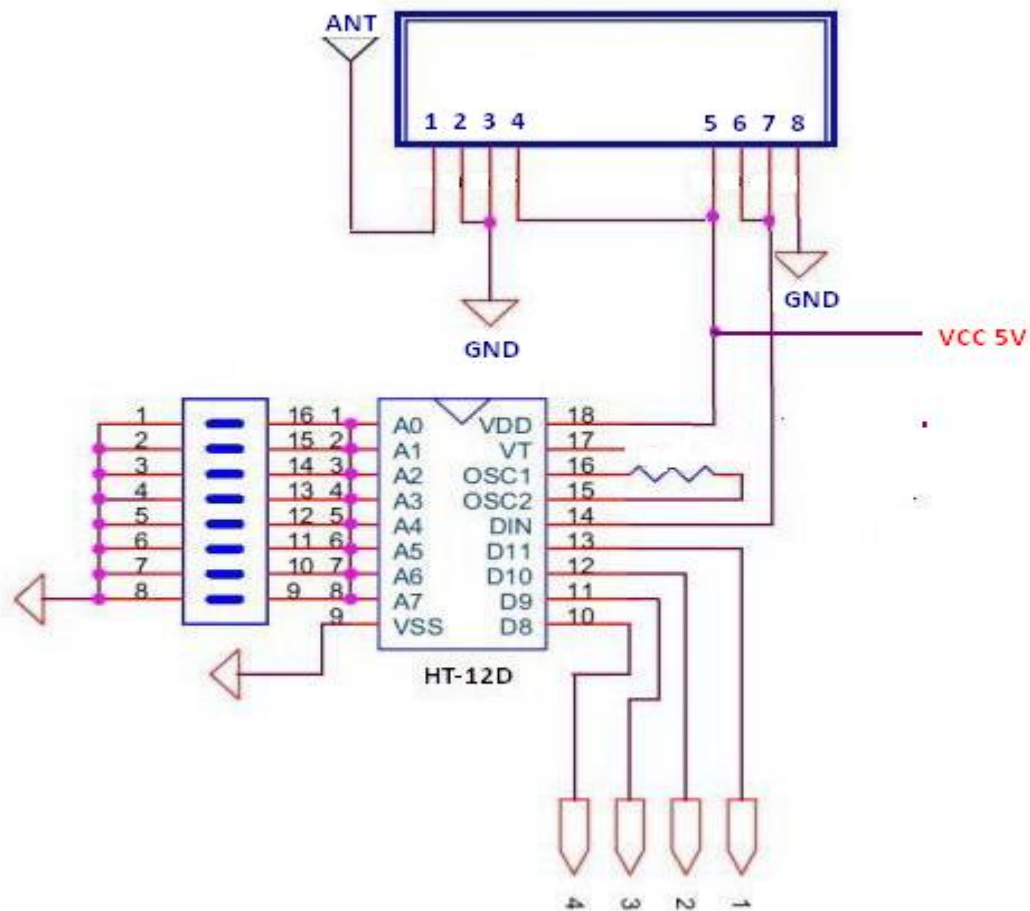
Notes

Pins on 0.1" pitch
Pin Dims :0.25 x 0.50mm

Pin Descriptions:

1	ANT	5	VCC
2	GND	6	DATA
3	GND	7	DATA
4	VCC	8	GND

Typical Application:



* Antenna length about :23cm for 315 MHz / 17cm for 434 MHz



SUMMITEK Technology Co.,Ltd.

1F,NO.16,LANE 32,SEC.1,WUNHUA ROAD,BANCIAO DIST.,NEW TAIPEI CITY,22055 TAIWAN

Tel :886-2-2969-6293

Fax:886-2-2969-7362

E-Mail:marketing@summitek.com.tw

<http://www.summitek.com.tw>